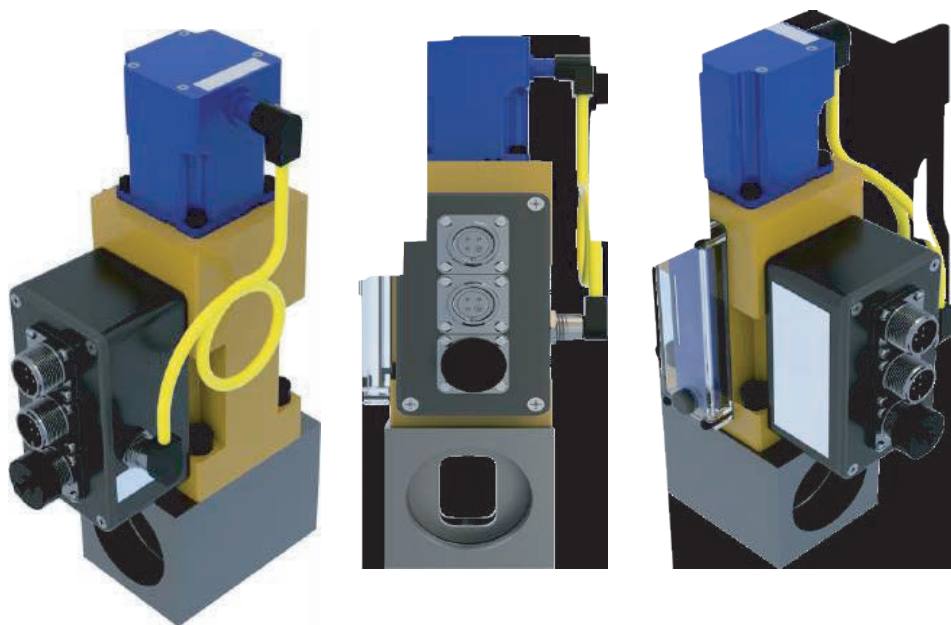


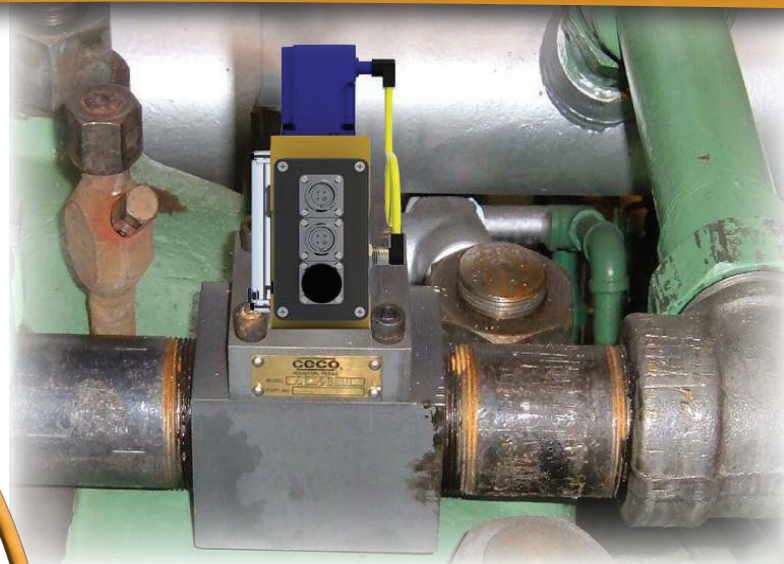
ADVANCED FUEL GAS MODULATION

CECO'S eFGM™ controls gas flow to each individual power cylinder.



eFGM™

EASY MAINTENANCE AND INSTALLATION!



- No calibration of valves necessary
- Stepper motor directly coupled to modulator
- Temperature sensor in valve
- Retrofittable to existing manual - CECO fuel gas modulator
- EMI & vibration ruggedized
- Simplified wiring

ceco

COMPRESSOR
ENGINEERING CORP.